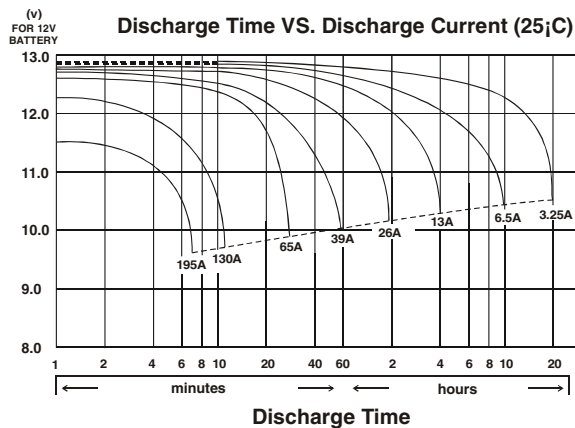
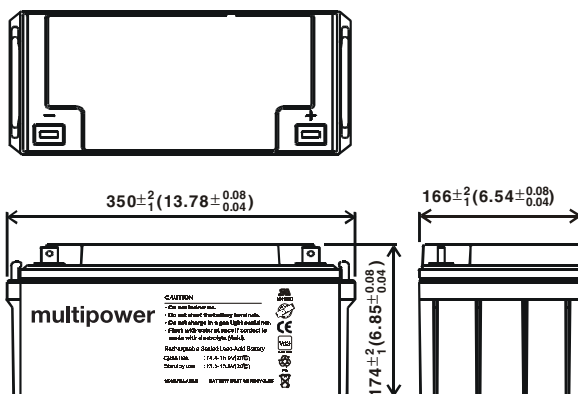
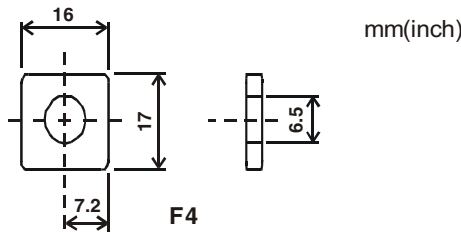


RECHARGEABLE SEALED LEAD ACID BATTERY

SPECIFICATION



MP65-12

Nominal Voltage (V) 12V

Nominal Capacity

20hour rate (3.25A to 10.50V)	65Ah
10hour rate (6.5A to 10.50V)	65Ah
5hour rate (11.05A to 10.20V)	55.25Ah
1C (65A to 9.60V)	29.25Ah
3C (195A to 9.60V)	23.4Ah

Weight 23.55kg(51.83Lbs.)

Internal Resistance (at 1KHz) 5 mΩ

Maximum Discharge Current for 30 seconds : 650A

Maximum Discharge Current for 5 seconds : 1300A

Operating Temperature Range

Charge	0°C (32°F) to 40°C (104°F)
Discharge	-15°C (5°F) to 50°C (122°F)
Storage	-15°C (5°F) to 40°C (104°F)

Charge Retention (shelf life) at 20°C (68°F)

1 month	92%
3 month	90%
6 month	80%

Charging Methods at 25°C (77°F)

Cycle use:

Charging Voltage 14.4 to 15.0V
Maximum Charging Current: 19.5A

Standby use:

Float Charging Voltage 13.50 to 13.80V

Life expectancy :

Cycle Use:

- 100% depth of discharge 200 cycles
- 80% depth of discharge 225 cycles
- 50% depth of discharge 500 cycles

Standby Use: 3-5 years

Case Material ABS
(Option: 94-HB & 94V-0 flame retardant case)

Terminal F4

Discharge Rates in Amperes to Various End Voltages at 25°C

Time \ End Voltage	11.40V	11.10V	10.80V	10.50V	10.20V	9.90V	9.60V
1 min	323	382	395	405	419	439	469
2 min	263	298	310	318	327	337	353
3 min	229	254	264	271	278	284	295
5 min	188	203	212	217	222	225	231
7 min	162	174	181	185	189	191	195
10 min	138	146	152	155	158	159	162
15 min	113	118	123	125	127	127	129
20 min	96.7	101	104	106	107	108	110
30 min	76.9	80.4	82.4	83.3	84.2	84.7	86.1
60 min	50.2	52.6	53.3	53.5	53.8	54.3	55.5
90 min	37.7	39.2	39.5	39.7	39.9	40.3	40.8
120 min	30.2	31.5	31.7	31.8	32.0	32.3	32.7
180 min	21.4	22.4	22.7	22.8	22.9	23.1	23.3
240 min	16.3	17.3	17.5	17.7	17.7	17.9	18.0
300 min	13.1	13.9	14.2	14.4	14.4	14.5	14.6
360 min	10.8	11.6	11.9	12.1	12.1	12.1	12.1
480 min	7.92	8.57	8.90	9.05	9.05	9.06	9.02
600 min	6.13	6.70	7.03	7.17	7.17	7.15	7.08
1200 min	2.57	2.92	3.19	3.30	3.29	3.24	3.15