

Panther Batterien

Batteriedatenblatt



12N7-4A

ETN: 507 0 13 004

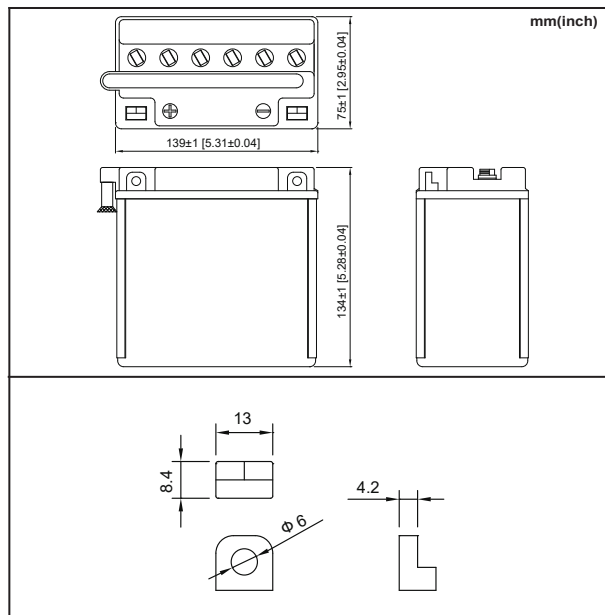
DIN: 50713

Specifications

Model NO .	12N7-4A DIN:50713 ETN:507013004	
Same Dimensions As YUASA Model	YB7-A	
Nominal Voltage	12V	
Rated Capacity (10 hours rate)	8 AH	
Dimension	Length	137 mm (5.39 inches)
	Width	75 mm (2.95 inches)
	Height	134 mm (5.28 inches)
	Total Height	134 mm (5.28 inches)
Approx. Weight W/O . ACID	2.04 kg (4.5 Lbs)	
Approx. ACID Per Battery	0.64 L	
Charge Current (A)	0.8 A	



Dimensions



Characteristics

Capacity 25°C (77°F)	10hours rate (0.8 A to 10.5V)	8.0 Ah
	5hours rate (1.6 A to 10.2V)	6.8 Ah
	1C (8.0 A to 9.6V)	3.6 Ah
	3C (24.0 A to 9.6V)	2.88 Ah
Cold Cranking Amperes(-18°C SAE Standard)	90 A	
Cold Cranking Amperes(-18°C EN Standard)	135 A	
Internal Resistance (at 1KHz)	Approx.7.0mΩ	
Operating Temperature Range	Charge	0°C (32°F) to 40°C (104°F)
	Discharge	-15°C (5°F) to 50°C (122°F)
	Storage	-15°C (5°F) to 40°C (104°F)
Life Expectancy (Cycle Use)	100% depth of discharge 200 cycles	
	80% depth of discharge 225 cycles	
	50% depth of discharge 500 cycles	
Charge Retention (shelf life) at 20°C (68°F)	1 month	85%
	3 month	80%
	6 month	75%
Standby Use	3~5 years	
Case Material	PP	

