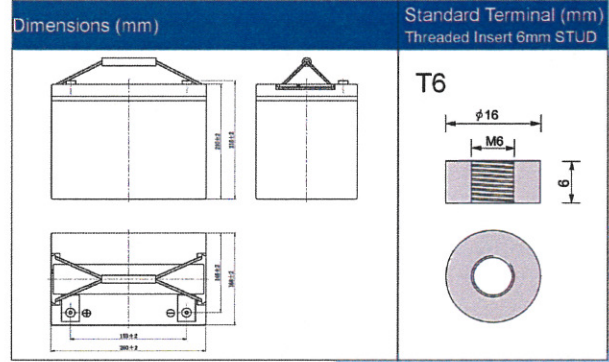
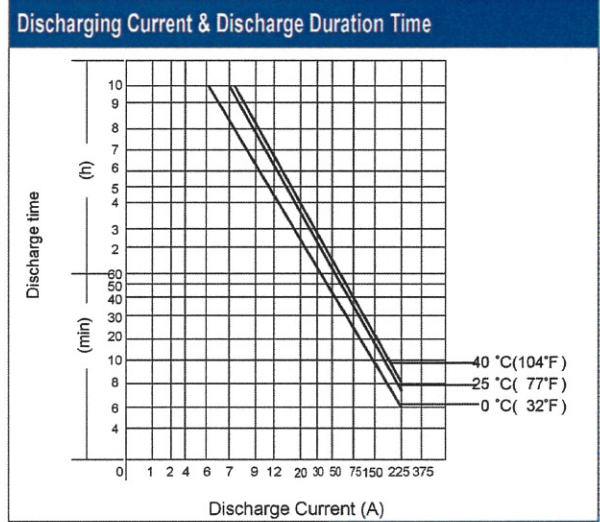




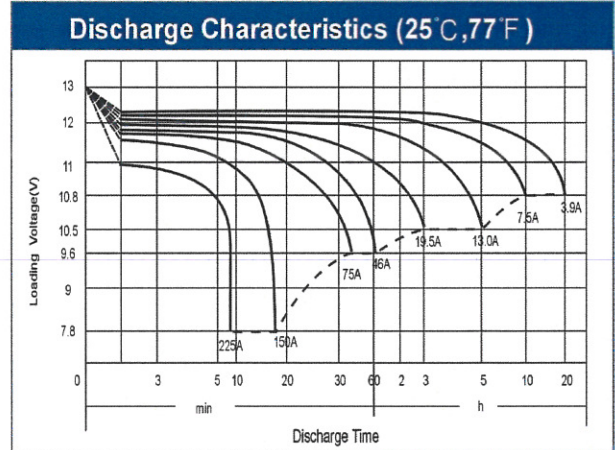
LP12-75(12V75AH)



Physical Specification		
Nominal Voltage		12V
Nominal Capacity (10HR)		75AH(H)
Dimension	Length	260±2mm (10.23 inches)
	Width	168±2mm (6.61 inches)
	Container Height	210±2mm (8.27 inches)
	Total Height (with Cover)	216±2mm (8.50 inches)
Weight		Approx 23.0kg (50.72 lbs)
Standard Terminal		T6



Electrical Specification					
Rated Capacity	20 hour rate (3.9 A)	78.0AH	Constant Voltage	Cycle	Initial Charging Current less than 22.5A. Voltage 14.4V~15.0V at 25°C (77°F) Temp. Coefficient -30mV/°C
	10 hour rate (7.5 A)	75.0AH			
	5 hour rate (13.0A)	65.0AH			
	3 hour rate (19.5A)	58.5AH			
	1 hour rate (46.0A)	46.0AH			
Capacity affected by Temperature	40°C (104°F)	103%	Charge	Standby	No limit on Initial Charging Current Voltage 13.5V~13.8V at 25°C(77°F) Temp. Coefficient -20mV/°C
	25°C (77°F)	100%			
	0°C (32°F)	86%			



Constant Current (Amp) and Constant Power (Watt) Discharge Table (25°C, 77°F)															
Amp/Watt/Cell	Time(minute)	10	15	20	30	45	60	120	180	240	300	360	480	600	1200
	Final voltage	1.3	1.3	1.3	1.6	1.6	1.67	1.7	1.75	1.75	1.75	1.75	1.8	1.8	1.8
A		187.5	142.5	112.5	86.3	60.0	46.0	26.3	19.5	15.0	13.0	11.4	8.9	7.5	3.9
W		352.5	270.0	220.5	162.8	119.3	89.6	52.2	38.9	29.9	25.8	22.8	17.9	15.0	7.8