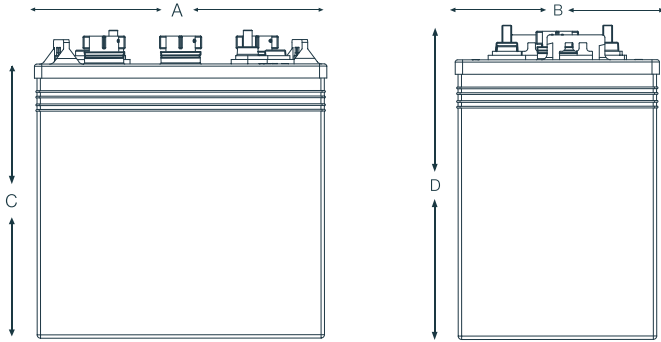
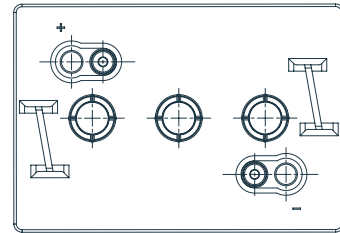


F06-06-225 (GC2)

Flooded Deep Cycle Battery



Left - positive Right - negative



Electrical Specifications

C5 Capacity	185Ah
C20 Capacity	225Ah
Voltage	6V
80% DOD Voltage Cutoff	5.6V
Self Discharge	Less than 3% per month (20°C/68°F)
Charge Temperature	Min: -10°C (14°F) / Max: 50°C (122°F)
Discharge Temperature**	Min: -40°C (-40°F) / Max: 50°C (122°F)
Storage	Min: -20°C (-4°F) / Max: 60°C (140°F)

Features

- Flooded bloc batteries

- Good high current performance for extreme operating conditions

- 1000 cycles (IEC 60254)

- Recyclable

- Long cycle life

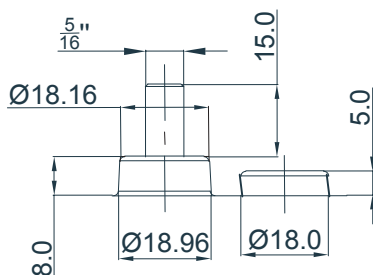
- Low self discharge rate

Mechanical Specifications

Industry Reference	GC2	
Length (A)	10.2in	260 mm
Width (B)	7.1in	180 mm
Height (C)	9.7in	247 mm
Height (D)	10.9in	277 mm
Weight	61.7 lbs	28 kgs
Terminal (Opt'l)	UTL	
Cell(s)	3	
Electrolyte	Flooded	
Terminal Torque Nm	8	

NOTE: There is a tolerance of +/-2%.

UTL



Positive & Negative

All applications including:

- Cleaning Machines

- Aerial Platforms & Lifters

- Pallet Trucks

- Golf Carts